



Minor Mechanics

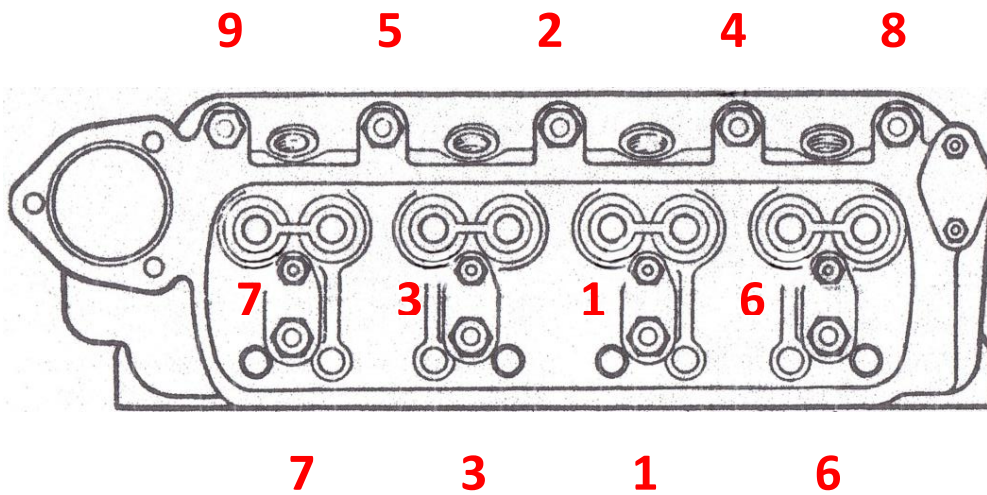
Morris Minor Head Lossening and Tightening Sequence

Check the torque settings for you engine. Cylinder head nuts = lb.ft

Rocker shaft nuts = lb.ft

Note: The rocker shaft nuts are torqued with there partner head nut.

Taken from the BMC Workshop Manual



Taken from the Haynes Owners Workshop Manual

